

322C 5192

THIRD ANGLE PROJECTION

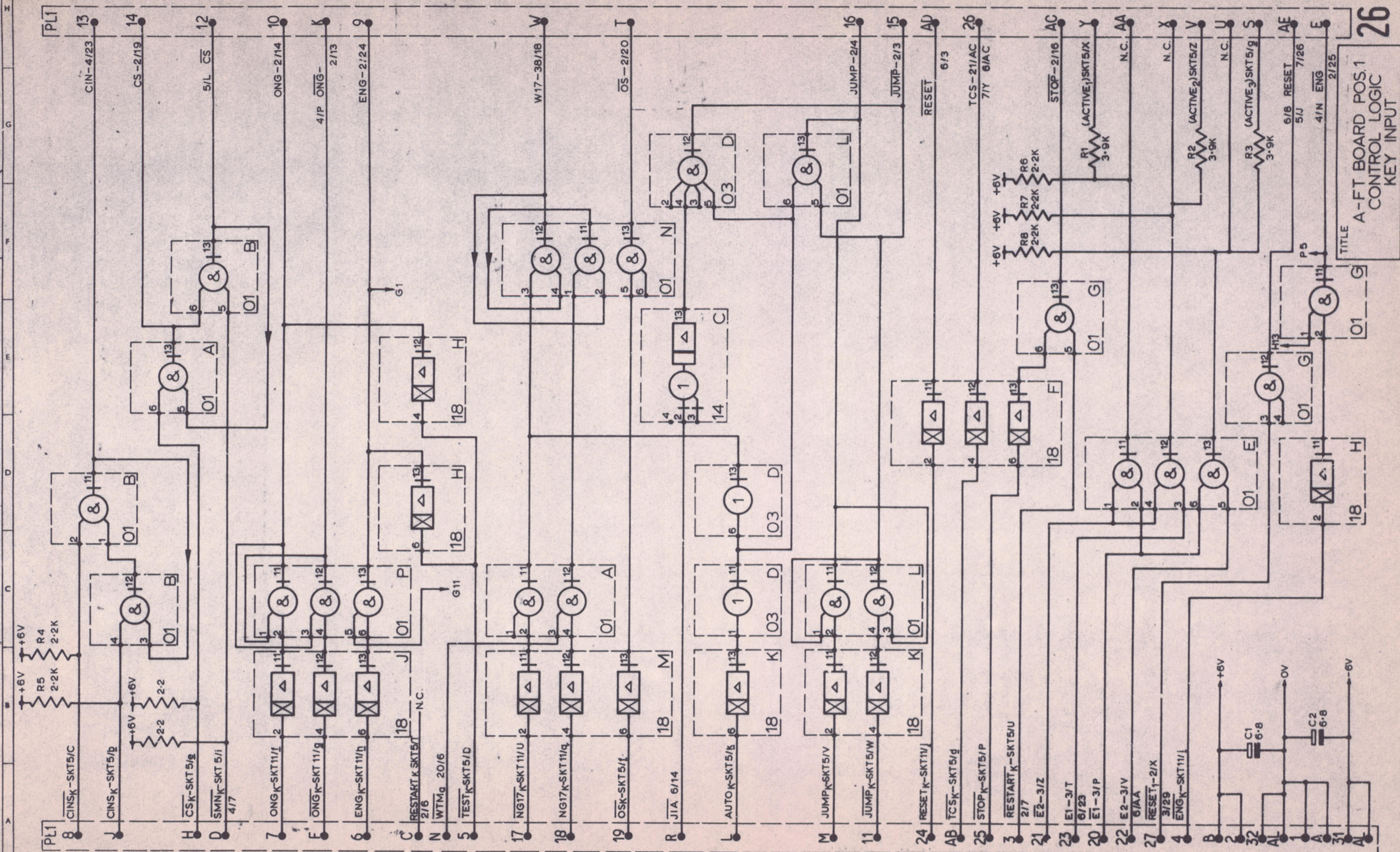
DIMENSIONS IN INCHES UNLESS OTHERWISE STATED

DO NOT SCALE DRAWING

USED ON 4720

26

TITLE A-FT BOARD POS.1 CONTROL LOGIC KEY INPUT



LATEST MI INCORPORATED: MI 2882 2998

ISSUE No.	4
ALTERATION No.	1740
DATE	10.6.66
INITIALS	S.S.
PARTS LIST No.	
DRAWN	D.&D.
CHECKED	CS 616
APPROVED	[Signature]
DATE	7-11-66

MATERIAL

FINISH

TOLERANCES
 LINEAR
 UNMACHINED SURFACES ±
 MACHINED SURFACES ±
 ANGULAR DIMENSIONS ±
 UNLESS OTHERWISE STATED

ELLIOTT BROTHERS (LONDON) LTD

TITLE
 A-FT BOARD POS.1
 CONTROL LOGIC
 KEY INPUT

SCALE
 DRAWING No.
 322 C 5192